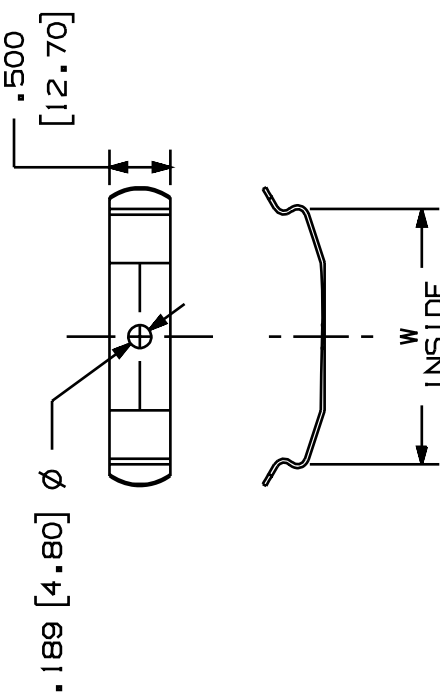
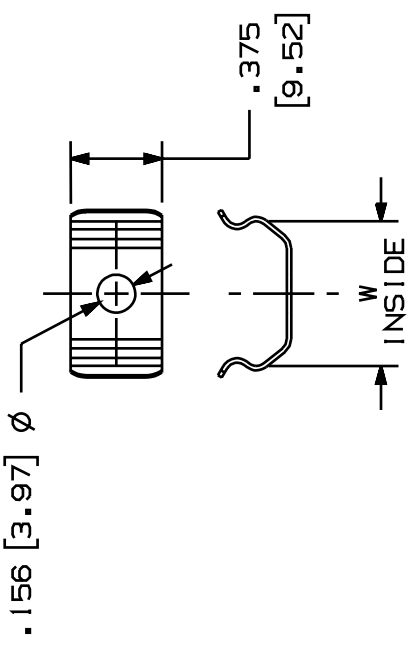


THIS COPY IS PROVIDED ON A RESTRICTED BASIS AND IS NOT TO BE USED IN ANY WAY DETRIMENTAL TO THE INTERESTS OF PANDUIT CORP.



FOR S1, S1.5, S2, S2.5, S3-, S4, SNS1, SNS1.5, SNS2, SNS2.5, SNS3, AND SNS4



FOR S.5, S.75, SNS.5, AND SNS.75

THIS DRAWING SUPERCEDES DRAWING #'S CL-11, CL-12, CL-13, & CL-14.

- NOTES:
- SEE CURRENT CATALOG FOR ADDITIONAL PART NUMBER SUFFIXES TO INDICATE COLOR AND/OR PACKAGE QUANTITY.
  - ONE SCREW PROVIDED FOR MOUNTING BRACKET AS NOTED IN CHART. FOR S.5 AND S.75: THE SCREW PROVIDED IS A #6-32 X 1/4" SCREW. FOR ALL OTHER SIZES: THE SCREW PROVIDED IS A #8-32 X 1/4" SCREW.
  - DIMENSIONS IN PARENTHESIS ARE METRIC.

PANDUIT PART NO.	DUCT WIDTH APPLIED TO	W	SCREW INCLUDED	WEIGHT PER 100 PCS
S.5	.50 [12.7]	.593 [15.1]	YES	.36 LB [163 g]
SNS.5			NO	
S.75	.75 [19.1]	.843 [21.4]	YES	.42 LB [191 g]
SNS.75			NO	
S1	1.00 [25.4]	1.094 [27.8]	YES	.76 LB [345 g]
SNS1			NO	
S1.5	1.50 [38.1]	1.594 [40.5]	YES	.97 LB [440 g]
SNS1.5			NO	
S2	2.00 [50.8]	2.094 [53.2]	YES	1.36 LB [617 g]
SNS2			NO	
S2.5	2.50 [63.5]	2.594 [65.9]	YES	1.66 LB [753 g]
SNS2.5			NO	
S3	3.00 [76.2]	3.094 [78.6]	YES	1.80 LB [816 g]
SNS3			NO	
S4	4.00 [101.6]	4.094 [104.0]	YES	2.27 LB [1030 g]
SNS4			NO	

CAD FILE NAME/LAYERS D34518BA\_DC\_SDUC TCLIP\_01A.prt

PANDUIT		CORP. TINLEY PARK, ILLINOIS	
		SNAP CLIP MOUNTING BRACKET	
TYPES NE, NS, PE, PS, D, E, & S		CUSTOMER DRAWING	
UNLESS OTHERWISE SPECIFIED, DIMENSIONAL TOLERANCES ARE:		UNLESS OTHERWISE SPECIFIED, ALL DIMENSIONS ARE GIVEN IN INCHES, THIRD ANGLE PROJECTION.	
(.X) :	(.XX) :	(.XXX) :	.010   .31
(.XX) :	(.XXX) :	(.XXXX) :	.031   .8 ANGLES :
DRAWN BY	JCST	MAT'L:	NONE
DATE	8-30-01	SCALE	NONE
CHK'D	JKG	DRAWING NO.	34518-58
ECN	R	DESCRIPTION	SPRING STEEL
REV	DATE	BY	CHK
R	8-30-01	JCST	JKG
RELEASED TO PRODUCTION		JKG	
DESCRIPTION		JKG	
ECN		R	
CUST		SUP	
JNG		A	
SIZE		A	